

PH-812_{/2K4}

KANRICH[®]

2 - Wire Video Doorphone

User Manual

Table of Contents

Model Description.....	1
Installation & Operating Instructions.....	2-6
Wire Diagram.....	7
Installation Note.....	8-10

Warranty

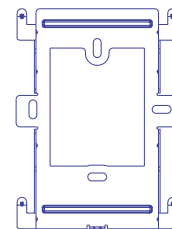
1. This warranty covers a period of one year from the date of purchase and service is free of charge. We warrant the product purchased is free from any defected material and workmanship under normal use as described in the user manual.
2. Service charge will be billed if the defect is resulted by user's negligence or misuse.
3. For any out of warranty service, a service charge will be billed according to the cost of materials and labor cost respectively.

Congratulations on your purchase of one of the most sophisticated and reliable products on the market today.

Before attempting to connect, operate or adjust this product, please take time to read these instructions completely.

Unpacking your video doorphone

Make sure the accessories shown below are packed with your video doorphone. There are provided to help you use or install the video doorphone . Optional accessories are also listed.



Bracket

Accessories

1. Wall Mounting Bracket

Quantity: 1pc

Zn Coating

Thickness=1.2mm

2. Tapping Screw:

Q'ty: 2pcs Type-M3.2X1.2P L=23mm,

Q'ty: 2pcs type-M4X2.25P L=17mm

Optional Accessories

PH-CB control box for door release.

Power Source: DC12V ~ 24V (Non-polarity)

Input DC V Selector:

PH-CB DC input depends on the power source of Door Lock. The range is between 12-24V.

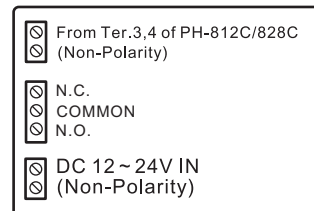
But It's set on 19V-24V upon shipment.

Relay working time:

The Relay working time of PH-CB
0-30 sec. Without fixed level.

Dimension: 13X9X4cm

PH-CB/2K4



B/W System:

PH-812PLBV/2K4

B/W ABS Camera (PH-812CPLB/2K4) + B/W Monitor (PH-812MBV/2K4) + wall mounting bracket + switching power + screw bag

PH-812ALBV/2K4

B/W Aluminum Camera (PH-812CALB/2K4) + Pre-box for Aluminum Camera + B/W Monitor (PH-812MBV/2K4) + switching power + wall mounting bracket + screw bag

PH-812STBV/2K4

B/W Stanness Camera (PH-812C10B/2K4) + B/W Monitor (PH-812MBV/2K4) + switching power + wall mounting bracket + screw bag

PH-812ST1BV/2K4

B/W Stanness Camera (PH-812C12B/2K4) + Pre-box for C12 Camera + B/W Monitor (PH-812MBV/2K4) + switching power + wall mounting bracket + screw bag

PH-812ST2BV/2K4

B/W Stanness Camera (PH-812C12AB/2K4) + Pre-box for C12A Camera + B/W Monitor (PH-812MBV/2K4) + switching power + wall mounting bracket + screw bag

Color System:

PH-812PLCV/2K4

Color ABS Camera (PH-812CPLB/2K4) + Color Monitor (PH-812MCV/2K4) + switching power + wall mounting bracket + screw bag

PH-812ALCV/2K4

Color Aluminum Camera (PH-812CALC/2K4) + Pre-box for Aluminum Camera + Color Monitor (PH-812MCV/2K4) + switching power + wall mounting bracket + screw bag

PH-812STCV/2K4

Color Stanness Camera (PH-812C10C/2K4) + Color Monitor (PH-812MCV/2K4) + switching power + wall mounting bracket + screw bag

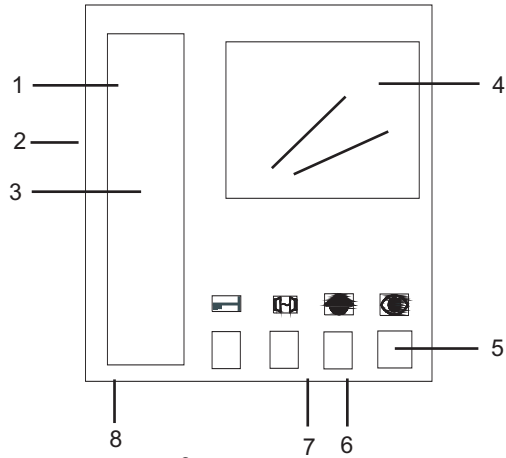
PH-812ST1CV/2K4

Color Stanness Camera (PH-812C12C/2K4) + Pre-box for C12 Camera + Color Monitor (PH-812MCV/2K4) + switching power + wall mounting bracket + screw bag

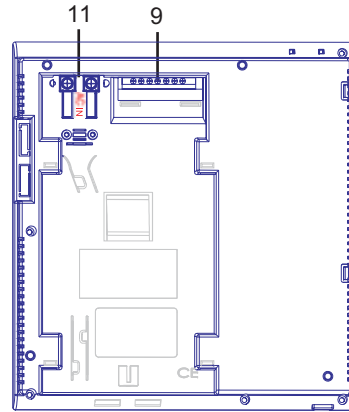
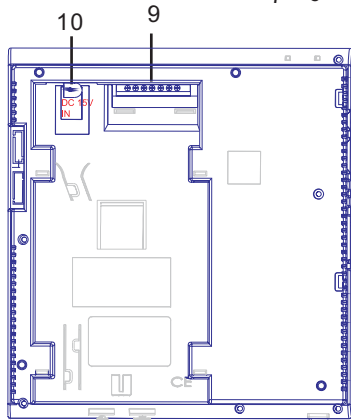
PH-812ST2CV/2K4

Color Stanness Camera (PH-812C12AC/2K4) + Pre-box for C12A Camera + Color Monitor (PH-812CBV/2K4) + switching power + wall mounting bracket + screw bag

**PH-812MBV/2K4&PH-812MCV/2K4
PH-SubMBV/2K4&PH-SubMCV/2K4**



- 1 Handset
- 2 Chime Volume Adjustment
- 3 Speaker for Chime
- 4 3.5" Color TFT LCD
or 4" B/W flat Type CRT
- 5 Function Key
- 6 Brightness tuner
- 7 Color tuner for Color
Contrast tuner for B&W
- 8 Handset Plug
- 9 Output terminal
- 10 DC input Plug
- 11 AC input Terminal



Monitor Specifications

PH-812MBV/2K4 B/W Monitor

PH-SubMBV/2K4 B/W Sub-Monitor

Power: Switching Power

CRT:4" B/W Flat Type CRT

Resolution: 500 TV lines

Calling Tone: Ding-Dong

Display Time: Pick up the handset 3 minutes or hang up the handset 30 sec.

Power Consumption: Standby --- 0.2W Operating --- max.8W

Wiring: 2-wire non-polarity

Wire distance: 1.25mm² or over 1.25mm² /200M

Dimensions: 250x210x45mm

PH-812MCV/2K4 Color Monitor

PH-SubMCV/2K4 Color Sub-Monitor

Power: AC100-250V Switching Power

LCD Display Panel

Display: 3.5" Diagonal Color TFT

Color: 65,000 colors (16 bits)

Resolution: 480(H)*234(V) dot

Active Area: 72(W)*50.554(H)(mm)

Dot Pitch: 0.150(H)*0.216(V)(mm)

View Angle:

Top: 10 deg.

Bottom: 30 deg.

Left: 45 deg.

Right: 45 deg.

Back Light: I Type Cold Cathode Fluorescent Lamp





Power Consumption: 3W (TYP)

Operating Temperature: 0°C~60°C

Storage Temperature: -25°C~60°C

Dimensions: 250x210x45mm

Definition of Buttons on Monitor

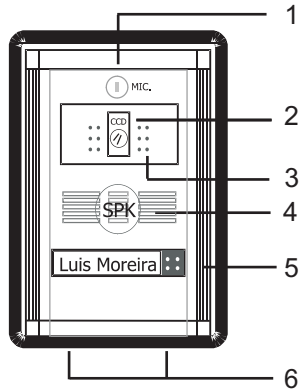
1.  : Press one time, screen on and monitoring time is approx.30 sec.
Press one more time, screen off.
Power standby LED(green)
2.  : It is unavailable in this system.
3.  : Intercom CALL for all monitors
LED will flash 30 sec after press this button.
4.  : The button function only for connecting PH-CB already. When you pick up the handset, you always can make the door release what you see it on the monitor.

Please pay attention to If you hang up the handset, this button is no available even you connected PH-CB already.

Camera Note

If the call is from camera to monitor, on-line time is approx.3 minutes.

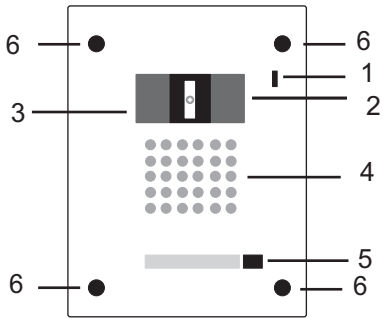
PH-812CALC/2K4
PH-812CALB/2K4



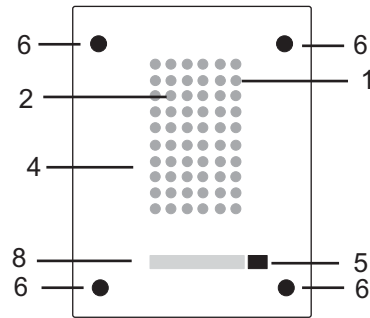
PH-812CPLC/2K4
PH-812CPLB/2K4



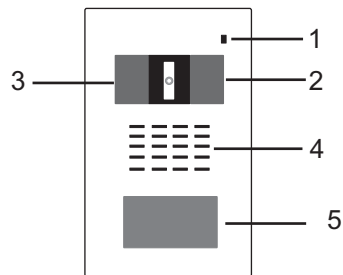
PH-812CST1C/2K4
PH-812CST1B/2K4



PH-812CST2C/2K4
PH-812CST2B/2K4



PH-812CSTC/2K4
PH-812CSTB/2K4



- 1 Micro Phone
- 2 1/3" Color CCD camera
Or 1/3" B&W CCD camera
- 3 4 pcs white LED illumination
For Color CCD camera
Or 6-12 pcs IR LED illumination
For B&W CCD camera
- 4 Speaker
- 5 Back-Light call button
- 6 Screw (AL type)
- 7 Screw cover (PL type)
- 8 White LED illumination For camera

Camera Specifications

B/W Camera

PH-812CPLB/2K4 <> PH-812CALB/2K4 <> PH-812STB/2K4 <>
PH-812CST1B/2K4 <> PH-812CST2B/2K4

Resolution : 380 TV lines

Camera: 1/3" B/W CCD

Lens and view angle: F1.8 full angle 92 degree

Min. illumination: 0.2Lux

Light Source 6-12 pcs IR LEDs

Dimensions:

PH-812CPLB/2K4: 128x84x34mm no need Pre-box

PH-812CALB/2K4: 240x120x60mm

PH-812CSTB/2K4: 182x100x30mm no need Pre-box

PH-812CST1B/2K4: 230x150x47mm

PH-812CST2B/2K4: 230x150x47mm

Pre-box:

PH-812CALB/2K4: need A type or B type

PH-812CST1B/2K4: need C type

PH-812CST2B/2K4: need C type

Color Camera

PH-812CPLC/2K4 <> PH-812CALC/2K4 <> PH-812STC/2K4 <>
PH-812CST1C/2K4 <> PH-812CST2C/2K4

Resolution: 300 TV lines

Camera: 1/3" color CCD

Lens and view angle: F1.8 full angle 92 degree

Min. illumination: 0.2Lux

Light Source: White LEDs

Dimension:

PH-812CPLB/2K4: 128x84x34mm no need Pre-box

PH-812CALB/2K4: 240x120x60mm

PH-812CSTB/2K4: 182x100x30mm no need Pre-box

PH-812CST1B/2K4: 230x150x47mm

PH-812CST2B/2K4: 230x150x47mm

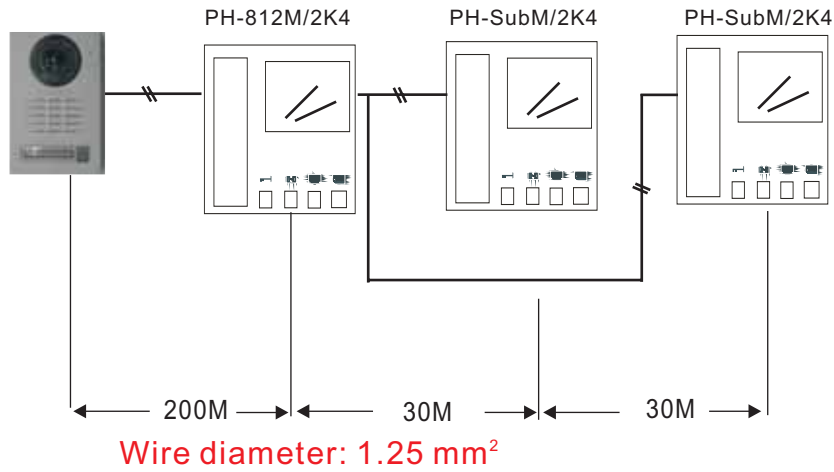
Pre-box:

PH-812CALB/2K4: need A type or B type

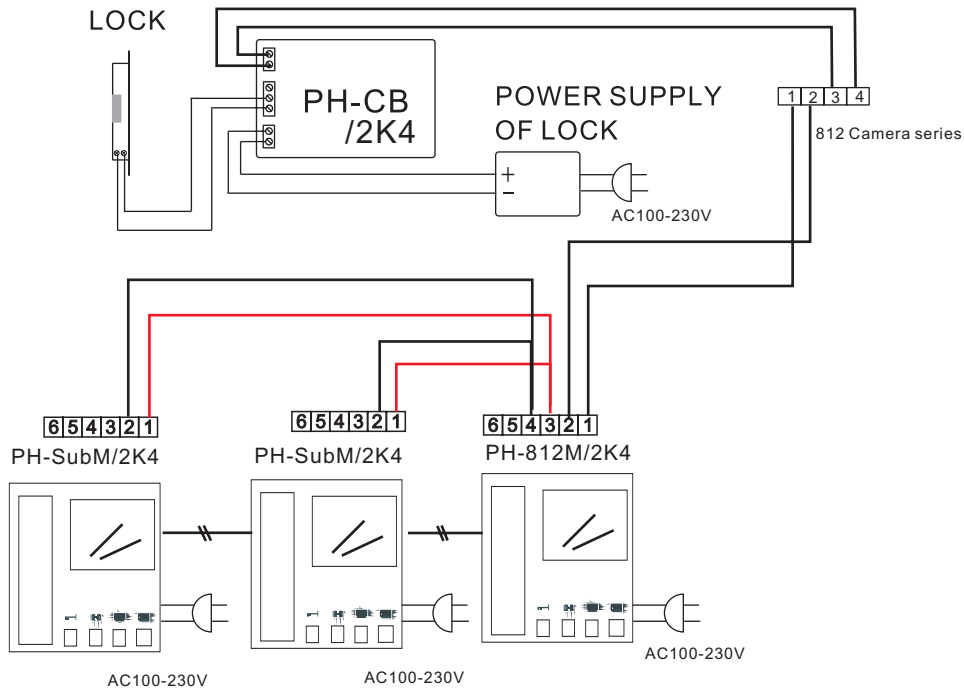
PH-812CST1B/2K4: need C type

PH-812CST2B/2K4: need C type

The max. distance between the Camera and Monitor



Wiring Instruction



Warning

Don't expose this equipment to direct sunlight, rain, air conditioner, extremely hot, freeze, vapor, chemicals and iron dustetc.

Installation Height

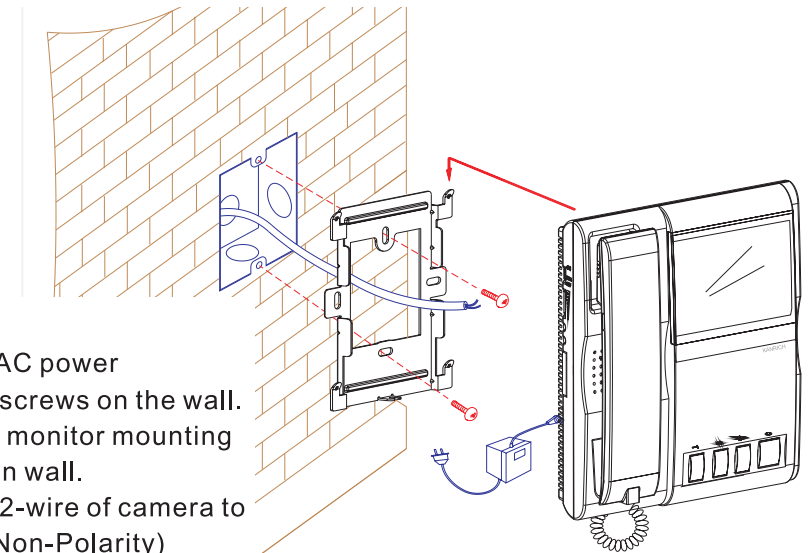
Camera: Eye to the center of Camera. Normal adult average height 150-155cm is recommended.

Monitor: Eye to the center of Monitor. Normal adult average height less 10 cm, 145 cm is recommended.

Monitor Installation Steps

DC Type

1. Fix the 2 screws on the wall.
2. Hang the monitor mounting bracket on wall.
3. Connect 2-wire of camera to monitor(Non-Polarity)
4. Plugged in DC plug to DC Jack on monitor and plugged in AC plug to AC power.
5. Install monitor on the mounting bracket.
6. Connect handset cord to monitor.



AC Type

1. Turn off AC power
2. Fix the 2 screws on the wall.
3. Hang the monitor mounting bracket on wall.
4. Connect 2-wire of camera to Monitor(Non-Polarity)
5. Plugged in AC plug to AC power.
6. Install monitor on the mounting bracket.
7. Connect handset cord to monitor.
8. Turn on AC power

Camera Installation Steps

PL Type

1. Mount Camera mounting base on the wall.
2. Pass 2-wire(standard wire) thru camera mounting base and connect camera terminals(Non-Polarity).
3. Install the camera onto mounting base by hooking the clip located on top of the camera.
4. Screw the screw into the front side of camera.

AL Type

Pre-box: A type pre-box : Flush Pre-box, dimensions:170x100x50mm

B type pre-box : Surface Pre-box, dimensions:240x120x50mm

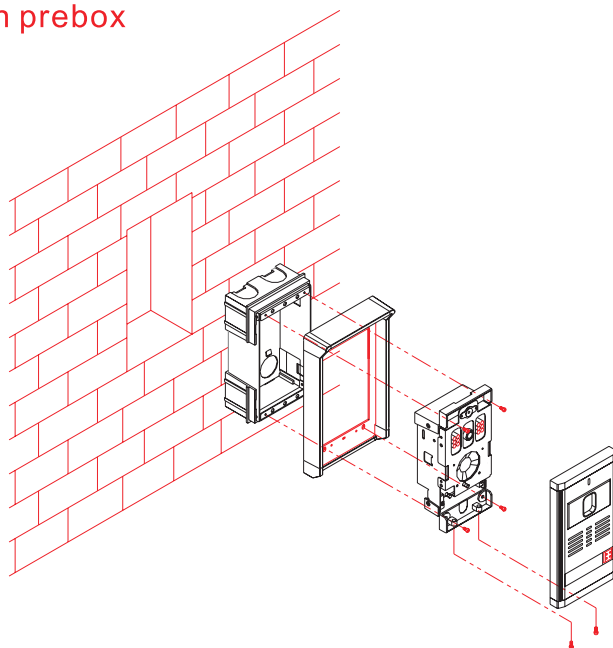
ST Type

1. Mount Camera mounting base on the wall.
2. Pass 2-wire(standard wire) thru camera mounting base and connect camera terminals(Non-Polarity).
3. Install the camera onto mounting base by hooking the clip located on top of the camera.

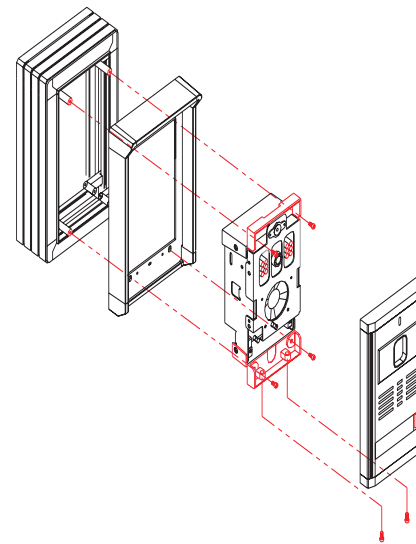
ST1/ST2Type

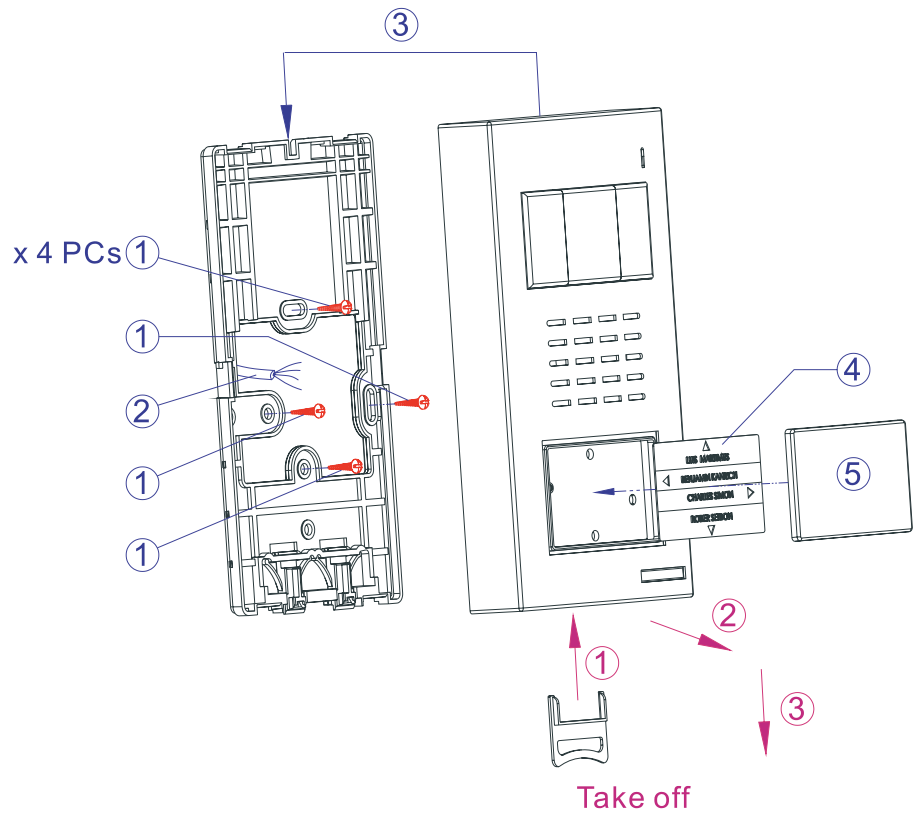
Pre-box: C type pre-box : Flush Pre-box, dimensions:170x100x50mm

A type prebox: Flush prebox



B type prebox: Surface prebox





C type prebox: Surface prebox

